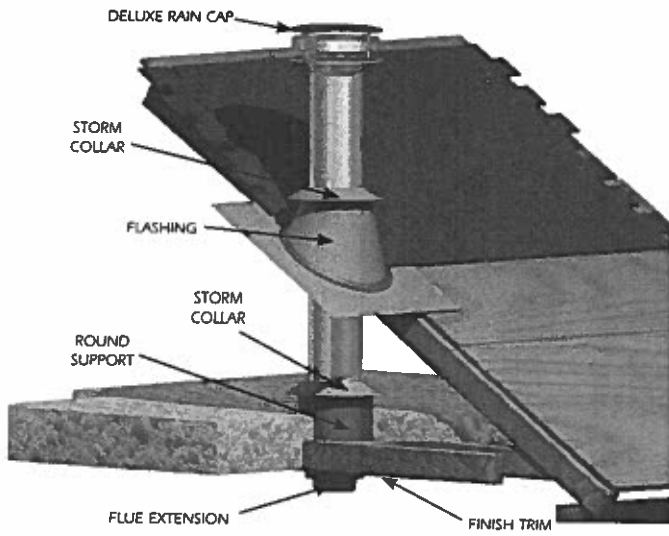
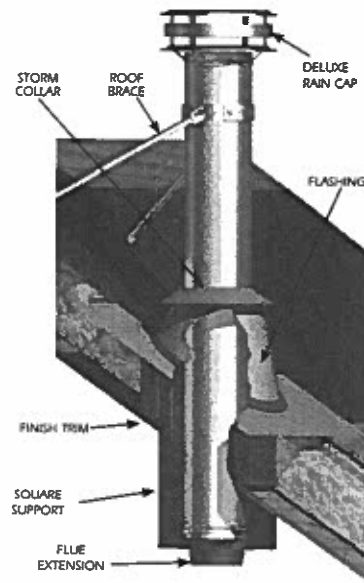


# EXCEL Typical Installations

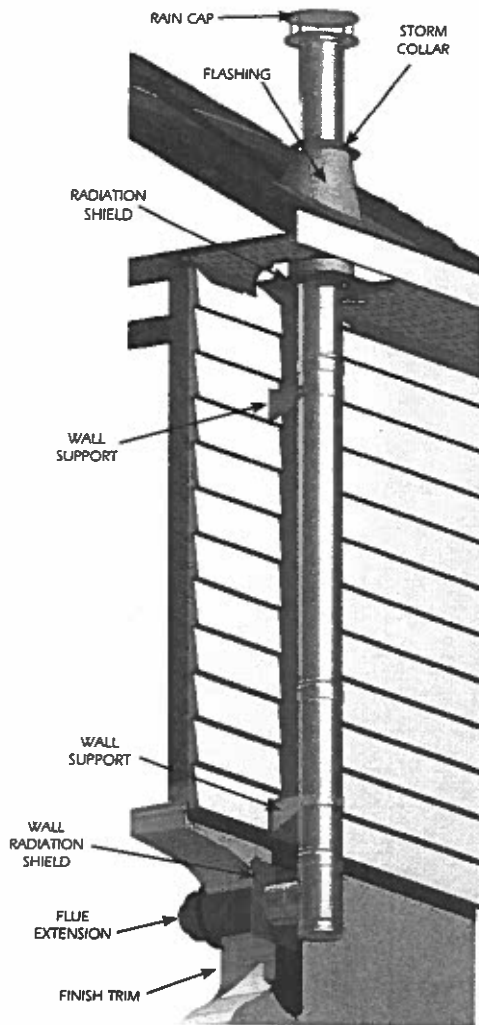
NOTE: The following information is provided to assist you in selecting the chimney components required for your installation. It is intended to be a guideline only. These are not the installation instructions.



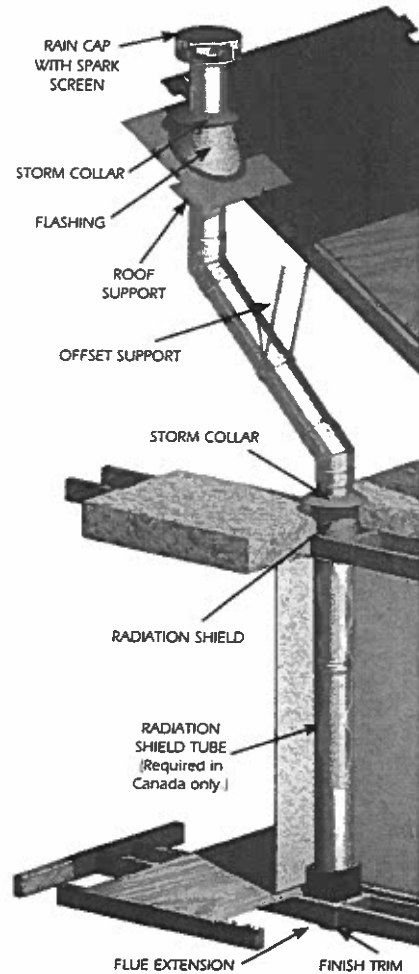
System 1



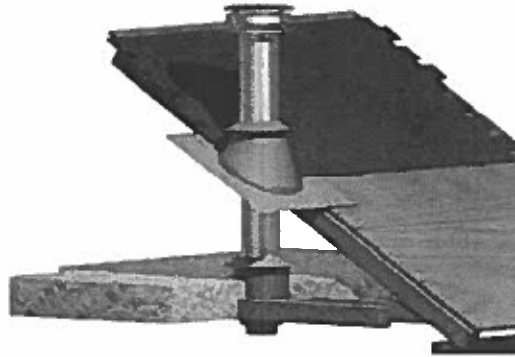
System 3



System 2



System 4



QTY	Excel Insulated		6"	7"	8"
1	Deluxe Rain Cap	_EDRC	\$172	\$176	\$202
1	Storm Collar	_ESC	\$27	\$27	\$27
1	Flashing 1/12 to 7/12	_EFA	\$125	\$131	\$136
1	Round Support*	_ERDS	\$191	\$243	\$243
1	24" Length	_EL24	\$172	\$180	\$203
1	48" Length	_EL48	\$332	\$321	\$393
Total Chimney			\$1,020	\$1,078	\$1,205
<b>Excel Ultra Black</b>					
1	24" Length	UC_UB2F	\$104	\$118	\$133
1	Adjustable Length 40" to 68"	UC_UBAF	\$256	\$280	\$307
1	Stove Adapter	UM_UBSE*	\$22	\$23	\$26
Total Stove Pipe			\$382	\$421	\$466
Total Package			\$1,402	\$1,499	\$1,671

\* Stove Adapter not always required

Package includes a standard 1/12-7/12 Flashing. Steeper pitch roof will require different flashing and more chimney. Pricing can be found in Excel Chimney Section. Offsets in the system may be required and must be added to final price.

Excel Insulated		6"	7"	8"
15° Elbow	_EE15	\$153	\$167	\$189
30° Elbow	_EE30	\$175	\$183	\$208
45° Elbow	_EE45	\$206	\$229	\$260
<b>Excel Ultra Black</b>				
30° Elbow	UE_UB30	\$68	\$77	\$91
45° Elbow	UE_UB45	\$68	\$77	\$91



QTY	Excel Insulated		6"	7"	8"
1	Deluxe Rain Cap	_EDRC	\$172	\$176	\$202
1	Flashing 1/12 to 7/12	_EFA	\$125	\$131	\$136
1	Radiation Shield	_ERS	\$84	\$88	\$92
2	Wall Support	EWS	\$75	\$75	\$75
1	Wall Radiation Shield*	_EWRS	\$171	\$191	\$191
4	48" Length	_EL48	\$332	\$321	\$393
1	18" Length	_EL18	\$137	\$149	\$154
1	Insulated Tee w/cap	_ETI	\$432	\$462	\$462
Total Chimney			\$2,599	\$2,632	\$2,957

Excel Ultra Black			6"	7"	8"
1	24" Length	UC_UB2F	\$104	\$118	\$133
1	Adjustable Length 40" to 68"	UC_UBAF	\$256	\$280	\$307
1	Stove Adapter	UM_UBSE*	\$22	\$23	\$26
1	90° Elbow	UE_UB90	\$105	\$125	\$148
			\$487	\$546	\$614

\* Stove Adapter not always required

	6"	7"	8"
Total Package	\$3,086	\$3,178	\$3,571

Package includes a standard 1/12-7/12 Flashing. Steeper pitch roof will require different flashing and more chimney. Pricing can be found in Excel Chimney Section. Offsets in the system may be required and must be added to final price.

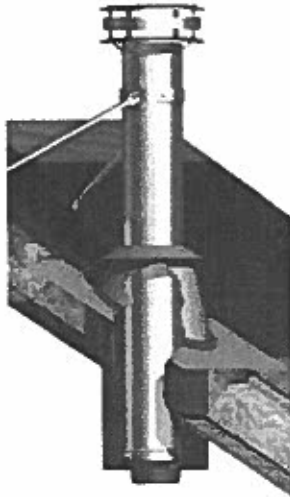
Excel Insulated		6"	7"	8"
15° Elbow	_EE15	\$153	\$167	\$189
30° Elbow	_EE30	\$175	\$183	\$208
45° Elbow	_EE45	\$206	\$229	\$260

Excel Ultra Black		6"	7"	8"
30° Elbow	UE_UB30	\$68	\$77	\$91
45° Elbow	UE_UB45	\$68	\$77	\$91

Main floor Exterior packages

Less 8' of chimney and only 1 wall Support.

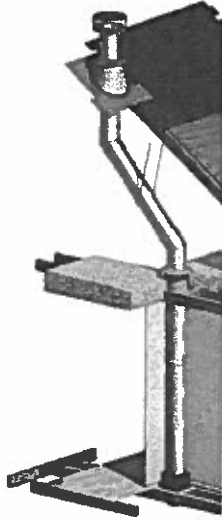
	6"	7"	8"
Total Package	\$2,347	\$2,461	\$2,712



QTY	Excel Insulated		6"	7"	8"
1	Deluxe Rain Cap	_EDRC	\$172	\$176	\$202
1	Flashing 1/12 to 7/12	_EFA	\$125	\$131	\$136
1	Square Support Attic Collar	_ESQSC	\$34	\$34	\$34
1	Square Support	_ESS	\$204	\$255	\$255
1	24" Length	_EL24	\$172	\$180	\$203
1	48" Length	_EL48	\$332	\$321	\$393
Total Chimney			\$1,039	\$1,097	\$1,223
<b>Excel Ultra Black</b>					
1	24" Length	UC_UB2F	\$104	\$118	\$133
1	Adjustable Length 40" to 68"	UC_UBAF	\$256	\$280	\$307
1	Stove Adapter	UM_UBSE*	\$22	\$23	\$26
Total Stove Pipe			\$382	\$421	\$466
* Stove Adapter not always required			6"	7"	8"
Total Package			\$1,421	\$1,517	\$1,689

Package includes a standard 1/12-7/12 Flashing. Steeper pitch roof will require different flashing and more chimney. Pricing can be found in Excel Chimney Section. Offsets in the system may be required and must be added to final price.

Excel Insulated		6"	7"	8"
15° Elbow	_EE15	\$153	\$167	\$189
30° Elbow	_EE30	\$175	\$183	\$208
45° Elbow	_EE45	\$206	\$229	\$260
<b>Excel Ultra Black</b>				
30° Elbow	UE_UB30	\$68	\$77	\$91
45° Elbow	UE_UB45	\$68	\$77	\$91



QTY	Excel Insulated		6"	7"	8"
1	Deluxe Rain Cap	_EDRC	\$172	\$176	\$202
1	Storm Collar	_ESC	\$27	\$27	\$27
1	Flashing 1/12 to 7/12	_EFA	\$125	\$131	\$136
1	Round Support*	_ERDS	\$191	\$243	\$243
1	Attic Radiation Shield	_ERSA	\$84	\$92	\$92
1	Economy Radiation Shield Tube	_ERSF10	\$12	\$20	\$27
6	48" Length	_EL48	\$332	\$321	\$393
Total Chimney			\$2,605	\$2,617	\$3,084

NET PRICE

Excel Ultra Black			6"	7"	8"
1	24" Length	UC_UB2F	\$104	\$118	\$133
1	Adjustable Length 40" to 68"	UC_UBAF	\$256	\$280	\$307
1	Stove Adapter	UM_UBSE*	\$22	\$23	\$26
			\$382	\$421	\$466

\* Stove Adapter not always required

Total Package	6"	7"	8"
	\$2,987	\$3,037	\$3,550

Package includes a standard 1/12-7/12 Flashing. Steeper pitch roof will require different flashing and more chimney. Pricing can be found in Excel Chimney Section. Offsets in the system may be required and must be added to final price.

Excel Insulated			6"	7"	8"
15° Elbow	_EE15	\$153	\$167	\$189	
30° Elbow	_EE30	\$175	\$183	\$208	
45° Elbow	_EE45	\$206	\$229	\$260	
Excel Ultra Black			6"	7"	8"
30° Elbow	UE_UB30	\$68	\$77	\$91	
45° Elbow	UE_UB45	\$68	\$77	\$91	