

# DuraVent

## DuraTech PREMIUM (DTP) WOOD CHIMNEY

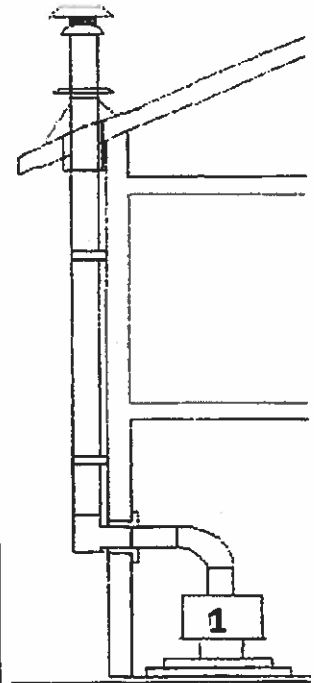
### Concorde's QUICK-REFERENCE PRICING

#### BASEMENT (Two-Floors) – EXTERIOR CHIMNEY SYSTEM

Insulated Chimney Height – Approx. 21 Feet

System 1

QTY	Part #	Description	6"	7"	8"
1	*DTP-VC	Vertical Rain Cap	90.00	98.00	110.00
1	*DTP-FS	Firestop	20.00	22.00	24.00
2	DTP-AWBU	Wall Band (Universal)	40.00	40.00	40.00
1	DTP-URES	OffSet Support / Re-Support (Universal)	94.00	94.00	94.00
1	*DTP-T	Insulated Tee	346.00	404.00	442.00
1	*DTP-TCC	Insulated Twist-Lock Tee Cap	80.00	82.00	90.00
1	*DTP-WTI	Insulated Wall Thimble	82.00	88.00	98.00
1	*DTP-F7	Flashing 1/12 to 7/12 - inc. Storm Collar	110.00	112.00	130.00
5	*DTP-48	48" Chimney Length SS - Price for Each:	254.00	262.00	338.00
1	*DTP-24	24" Chimney Length SS	198.00	246.00	288.00
1	*DTP-12	12" Chimney Length SS	162.00	176.00	190.00
1	*DTP-DVL	Decorative Collar	44.00	44.00	46.00
1	*DTP-AD	Connector Pipe Adapter	32.00	34.00	40.00
<b>DTP INSULATED CHIMNEY:</b>			<b>2,608.00</b>	<b>2,790.00</b>	<b>3,322.00</b>
<b>DVL Double-Wall Smoke Pipe</b>					
2	*DVL-24	24" Pipe Length - Price for Each:	100.17	127.51	128.25
1	*DVL-E90	90 Degree Elbow	118.83	144.98	161.01
1	*DVL-12ADJ	12" Adjustable Pipe Length	75.54	87.58	106.46
1	*DVL-AD	Stove Adapter No Damper	53.83	67.78	83.19
<b>DVL SMOKE-PIPE:</b>			<b>448.54</b>	<b>555.36</b>	<b>607.16</b>
<b>DTP INSULATED CHIMNEY:</b>			<b>2,608.00</b>	<b>2,790.00</b>	<b>3,322.00</b>
<b>PACKAGE TOTAL:</b>			<b>3,056.54</b>	<b>3,345.36</b>	<b>3,929.16</b>



Notes: Prices shown are Concorde's list MSRP. Depending on appliance, stove adapter may or may not be required. Insert appropriate pipe size number wherever asterisk (\*) is shown within part numbers. This information is not meant to replace either the DuraVent Product Guide or Price Book. It is only intended to provide pricing examples for common chimney packages. Required components and pipe section quantities will vary depending on the requirements for each job, and the appliance involved. A firm quote can only be established after consulting with a customer about their specific needs, or by performing a site visit.

Please consult the TYPICAL INSTALLATIONS and PLANNING YOUR INSTALLATION pages within DuraVent's product catalog for more information. Should there be differences in prices shown when compared to price book, prices shown in the price

# DuraVent

## DuraTech PREMIUM (DTP) WOOD CHIMNEY

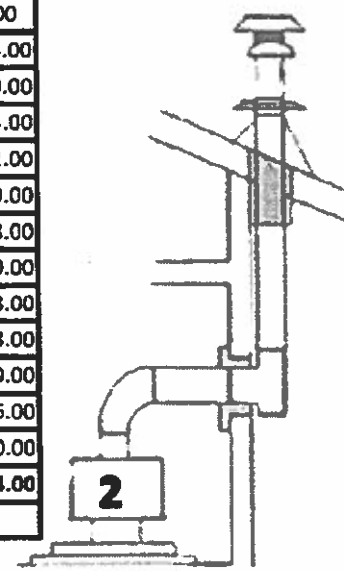
### Concorde's QUICK-REFERENCE PRICING

#### SINGLE-FLOOR, EXTERIOR CHIMNEY SYSTEM

Insulated Chimney Height – Approx. 13 Feet

System 2

QTY	Part #	Description	6"	7"	8"
1	*DTP-VC	Vertical Rain Cap	90.00	98.00	\$110.00
1	*DTP-FS	Firestop	20.00	22.00	24.00
1	DTP-AWBU	Wall Band (Universal)	40.00	40.00	40.00
1	DTP-URES	OffSet Support / Re-Support (Universal)	94.00	94.00	94.00
1	*DTP-T	Insulated Tee	346.00	404.00	442.00
1	*DTP-TCC	Insulated Twist-Lock Tee Cap	80.00	82.00	90.00
1	*DTP-WTI	Insulated Wall Thimble	82.00	88.00	98.00
1	*DTP-F7	Flashing 1/12 to 7/12 - inc. Storm Collar	110.00	112.00	130.00
3	*DTP-48	48" Chimney Length SS - Price for Ea.:	254.00	262.00	338.00
1	*DTP-24	24" Chimney Length SS	198.00	246.00	288.00
1	*DTP-12	12" Chimney Length SS	162.00	176.00	190.00
1	*DTP-DVL	Decorative Collar	44.00	44.00	46.00
1	*DTP-AD	Connector Pipe Adapter	32.00	34.00	40.00
<b>INSULATED CHIMNEY:</b>			<b>2,060.00</b>	<b>2,226.00</b>	<b>2,604.00</b>
<b>Double-Wall Smoke Pipe</b>					
2	*DVL-24	24" Pipe Length - Price for Each:	100.17	127.51	128.25
1	*DVL-E90	90 Degree Elbow	118.83	144.98	161.01
1	*DVL-12ADJ	12" Adjustable Pipe Length	75.54	87.58	106.46
1	*DVL-AD	Stove Adapter No Damper	53.83	67.78	83.19
<b>SMOKE-PIPE:</b>			<b>448.54</b>	<b>555.36</b>	<b>607.16</b>
<b>INSULATED CHIMNEY:</b>			<b>2,060.00</b>	<b>2,226.00</b>	<b>2,604.00</b>
<b>PACKAGE TOTAL:</b>			<b>2,508.54</b>	<b>2,781.36</b>	<b>3,211.16</b>



Notes: Prices shown are Concorde's list MSRP. Depending on appliance, stove adapter may or may not be required. Insert appropriate pipe size number wherever asterisk (\*) is shown within part numbers. This information is not meant to replace either the DuraVent Product Guide or Price Book. It is only intended to provide pricing examples for common chimney packages. Required components and pipe section quantities will vary depending on the requirements for each job, and the appliance involved. A firm quote can only be established after consulting with a customer about their specific needs, or by performing a site visit.

Please consult the TYPICAL INSTALLATIONS and PLANNING YOUR INSTALLATION pages within DuraVent's product catalog for more information. Should there be differences in prices shown when compared to price book, prices shown in the price

# DuraVent

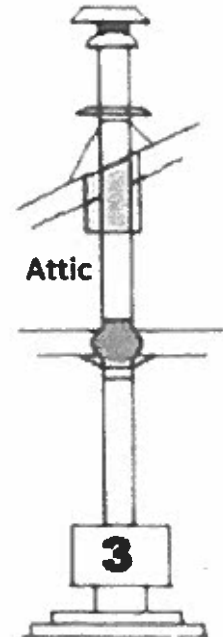
## DuraTech PREMIUM (DTP) WOOD CHIMNEY

### Concorde's QUICK-REFERENCE PRICING

#### SINGLE-FLOOR, INTERIOR CHIMNEY SYSTEM

Insulated Chimney Height – Approx. 12 Feet

System 3



QTY	Part #	Description	6"	7"	8"
1	*DTP-VC	Vertical Rain Cap	90.00	98.00	110.00
1	*DTP-F7	Flashing 1/12 to 7/12 - Inc. Storm Collar	110.00	112.00	130.00
1	*DTP-RCS	Insulated RCS Support with ARS Collar	220.00	232.00	234.00
3	*DTP-48	48" Chimney Length SS - Price for Each:	254.00	262.00	338.00
<b>DTP INSULATED CHIMNEY:</b>			<b>1,182.00</b>	<b>1,228.00</b>	<b>1,488.00</b>
<b>DVL Double-Wall Smoke Pipe</b>					
1	*DVL-68TA	DVL Telescoping Length, 40" up to 68"	242.15	258.69	288.86
1	*DVL-AD	Stove Adapter No Damper	53.83	67.78	83.19
<b>DVL SMOKE-PIPE:</b>			<b>295.98</b>	<b>326.47</b>	<b>372.05</b>
<b>DTP INSULATED CHIMNEY:</b>			<b>1,182.00</b>	<b>1,228.00</b>	<b>1,488.00</b>
<b>PACKAGE TOTAL:</b>			<b>1,477.98</b>	<b>1,554.47</b>	<b>1,860.05</b>

Notes: Prices shown are Concorde's list MSRP. Depending on appliance, stove adapter may or may not be required. Insert appropriate pipe size number wherever asterisk (\*) is shown within part numbers. This information is not meant to replace either the DuraVent Product Guide or Price Book. It is only intended to provide pricing examples for common chimney packages. Required components and pipe section quantities will vary depending on the requirements for each job, and the appliance involved. A firm quote can only be established after consulting with a customer about their specific needs, or by performing a site visit.

*Please consult the TYPICAL INSTALLATIONS and PLANNING YOUR INSTALLATION pages within DuraVent's product catalog for more information. Should there be differences in prices shown when compared to*

# DuraVent

## DuraTech PREMIUM (DTP) WOOD CHIMNEY

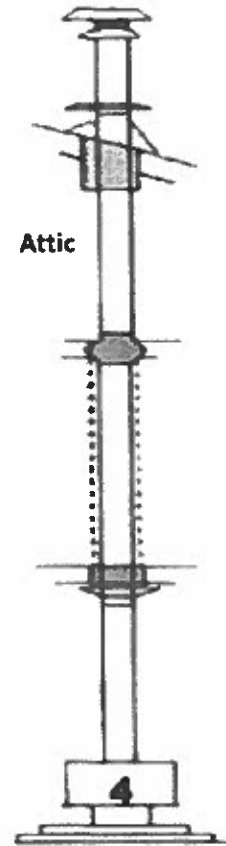
### Concorde's QUICK-REFERENCE PRICING

#### BASEMENT, TWO-FLOORS, INTERIOR CHIMNEY SYSTEM

Insulated Chimney Height – Approx. 20 Feet

System 4

QTY	Part #	Description	6"	7"	8"
1	*DTP-VC	Vertical Rain Cap	90.00	98.00	110.00
1	*DTP-F7	Flashing 1/12 to 7/12 - inc. Storm Collar	110.00	112.00	130.00
1	*DTP-SFC	Finishing (Ceiling) Support w/ Coupler	180.00	184.00	190.00
1	*DTP-FS	Firestop	20.00	22.00	24.00
1	*DTP-AARS	Insulated ADJ. Attic Radiation Shield	116.00	124.00	128.00
5	*DTP-48	48" Chimney Length SS - Price for Ea.:	254.00	262.00	338.00
<b>DTP INSULATED CHIMNEY:</b>			<b>1,786.00</b>	<b>1,850.00</b>	<b>2,272.00</b>
<b>DVL Double-Wall Smoke Pipe</b>					
1	*DVL-68TA	DVL Telescoping Length, 40" up to 68"	242.15	258.69	288.86
1	*DVL-AD	Stove Adapter No Damper	53.83	67.78	83.19
<b>DVL SMOKE-PIPE:</b>			<b>295.98</b>	<b>326.47</b>	<b>372.05</b>
<b>DTP INSULATED CHIMNEY:</b>			<b>1,786.00</b>	<b>1,850.00</b>	<b>2,272.00</b>
<b>PACKAGE TOTAL:</b>			<b>2,081.98</b>	<b>2,176.47</b>	<b>2,644.05</b>



Notes: Prices shown are Concorde's list MSRP. Depending on appliance, stove adapter may or may not be required. Insert appropriate pipe size number wherever asterisk (\*) is shown within part numbers. This information is not meant to replace either the DuraVent Product Guide or Price Book. It is only intended to provide pricing examples for common chimney packages. Required components and pipe section quantities will vary depending on the requirements for each job, and the appliance involved. A firm quote can only be established after consulting with a customer about their specific needs, or by performing a site visit.

Please consult the *TYPICAL INSTALLATIONS* and *PLANNING YOUR INSTALLATION* pages within DuraVent's product catalog for more information. Should there be differences in prices shown when compared to price book, prices shown in the price book shall prevail.

# DuraVent

## DuraTech PREMIUM (DTP) WOOD CHIMNEY

### Concorde's QUICK-REFERENCE PRICING

#### CATHEDRAL (VAULTED CEILING) CHIMNEY SYSTEM

Insulated Chimney Height – Approx. 8 Feet

System 5

QTY	Part #	Description	6"	7"	8"
1	*DTP-VC	Vertical Rain Cap	90.00	98.00	110.00
1	*DTP-F7	Flashing 1/12 to 7/12 - inc. Storm Collar	110.00	112.00	130.00
1	*DTP-RCS	Insulated RCS Support with ARS Collar*	220.00	232.00	234.00
2	*DTP-48	48" Chimney Length SS - Price for Each:	254.00	262.00	338.00
<b>DTP INSULATED CHIMNEY:</b>			<b>928.00</b>	<b>966.00</b>	<b>1,150.00</b>
<i>Note: Collar not used with RCS Box in Cathedral Applications.*</i>					
<b>DVL Double-Wall Smoke Pipe</b>					
1	*DVL-68TA	DVL Telescoping Length, 40" up to 68"	242.15	258.69	288.86
1	*DVL-48	DVL 48" Pipe Length	154.02	180.17	207.61
1	*DVL-24	24" Pipe Length - Price for Each:	100.17	127.51	128.25
1	*DVL-AD	Stove Adapter No Damper	53.83	67.78	83.19
<b>DVL SMOKE-PIPE:</b>			<b>550.17</b>	<b>634.15</b>	<b>707.91</b>
<b>DTP INSULATED CHIMNEY:</b>			<b>928.00</b>	<b>966.00</b>	<b>1,150.00</b>
<b>PACKAGE TOTAL:</b>			<b>1,478.17</b>	<b>1,600.15</b>	<b>1,857.91</b>

Notes: Prices shown are Concorde's list MSRP. Depending on appliance, stove adapter may or may not be required. Insert appropriate pipe size number wherever asterisk (\*) is shown within part numbers. This information is not meant to replace either the DuraVent Product Guide or Price Book. It is only intended to provide pricing examples for common chimney packages. Required components and pipe section quantities will vary depending on the requirements for each job, and the appliance involved. A firm quote can only be established after consulting with a customer about their specific needs, or by performing a site visit.

*Please consult the TYPICAL INSTALLATIONS and PLANNING YOUR INSTALLATION pages within DuraVent's product catalog for more information. Should there be differences in prices shown when compared to*

